



**SSLINKS**  
SUPERIOR SOUND LINKS

# SS LINKS

SUPERIOR SOUND LINKS

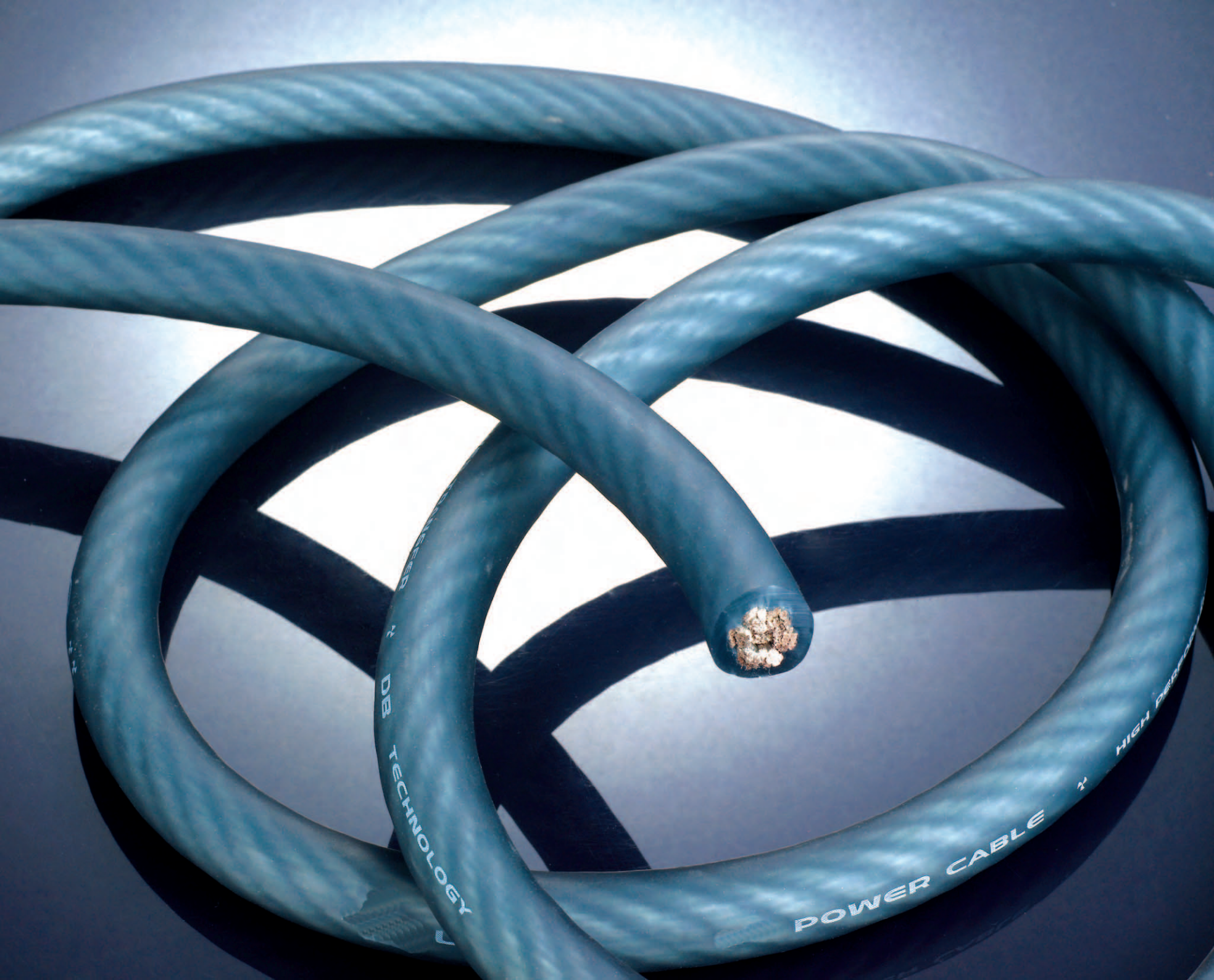
SS Links car audio accessories will revolutionize the industry with accessories at unparalleled performance at the most reasonable price. You'll find each one of our levels of accessories to cover anything from a entry level amp kit to a competition grade RCA interconnect.

We emphasize the absolute best quality in every category. Our goal was to surpass in quality and price any other Car Audio Accessories company in the industry. Quality has no compromise.

[WWW.SSLINKS.NET](http://WWW.SSLINKS.NET)

[SALES@SSLINKS.NET](mailto:SALES@SSLINKS.NET)

559-434-1793



DB  
TECHNOLOGY

POWER CABLE

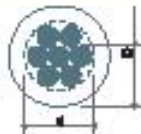
HIGH PERFORMANCE

## Level 3 - Power Cable



- TRANSLUCENT - ULTRA SOFT JACKET
- HIGH PURITY OXYGEN FREE TINNED COPPER
- COMPACT STRANDS ENHANCE CONDUCTIVITY AND FLEXIBILITY
- HEAT, CHEMICAL, AND ABRASION RESISTANT JACKET
- UP TO 6370 STRANDS

Item	Specification
LV3PWAR0-G	1/0 AWG, ICED GREY, 6370 STRANDS
LV3PWAR0-S	1/0 AWG, ICED SILVER, 6370 STRANDS
LV3PWAR4-G	4 AWG, ICED GREY, 2695 STRANDS
LV3PWAR4-S	4 AWG, ICED SILVER, 2695 STRANDS
LV3PWAB-G	8 AWG, ICED GREY, 1029 STRANDS
LV3PWAB-S	8 AWG, ICED SILVER, 1029 STRANDS

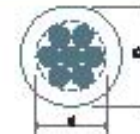


## Level 2 - Power Cable



- TRANSLUCENT - ULTRA SOFT JACKET
- HIGH PURITY OXYGEN FREE TINNED COPPER
- COMPACT STRANDS ENHANCE CONDUCTIVITY AND FLEXIBILITY
- HEAT, CHEMICAL, AND ABRASION RESISTANT JACKET
- UP TO 4265 STRANDS

Item	Specification
LV2PWAR0-R	1/0 AWG, ICED RED, 4265 STRANDS
LV2PWAR0-B	1/0 AWG, ICED BLACK, 4265 STRANDS
LV2PWAR4-R	4 AWG, ICED RED, 1710 STRANDS
LV2PWAR4-B	4 AWG, ICED BLACK, 1710 STRANDS
LV2PWAB-R	8 AWG, ICED RED, 882 STRANDS
LV2PWAB-B	8 AWG, ICED BLACK, 882 STRANDS



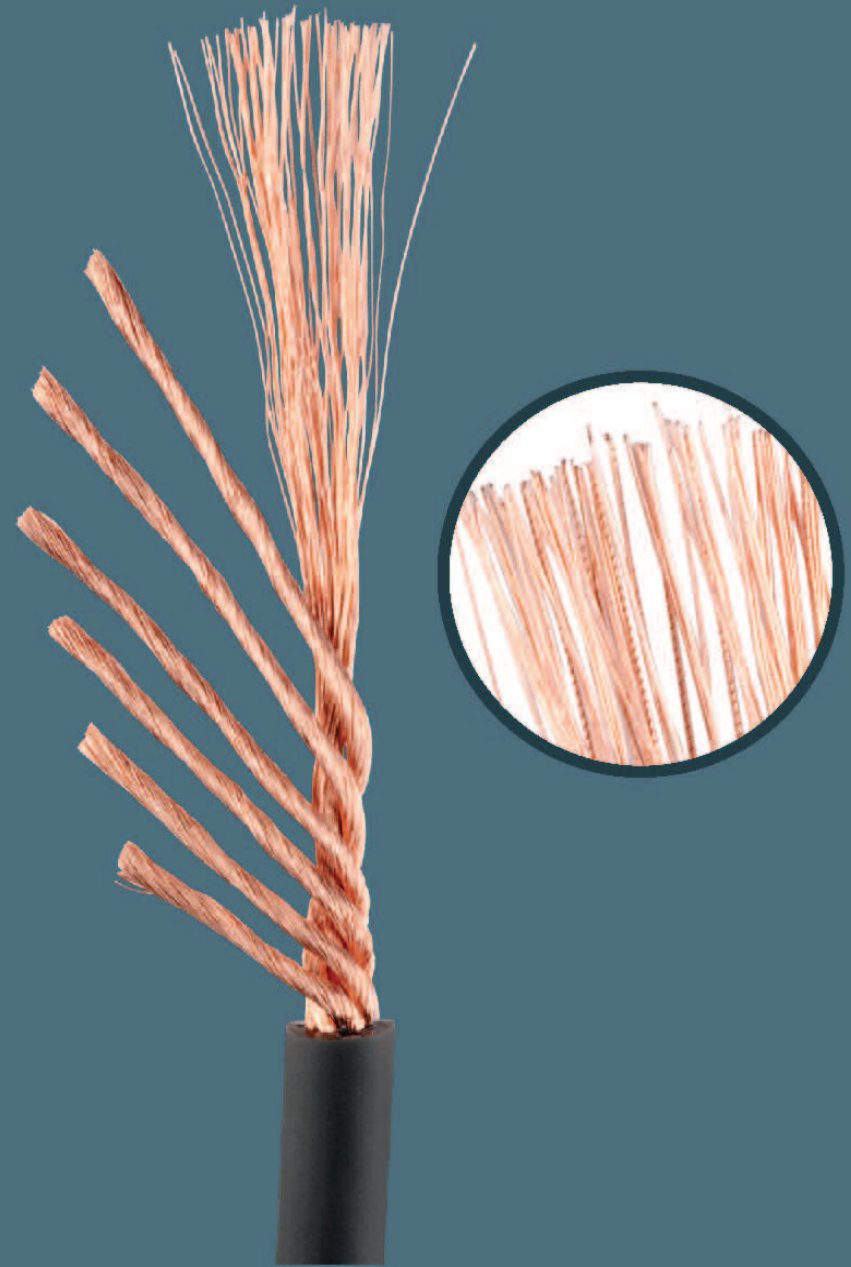
# Level 1 - Power Cable

R TRANSFER Y DB TECHNOLOGY

R TRANSFER Y DB TECHNOLOGY

- SOLID COSMETIC WITH SUPERIOR SOFTNESS AND FLEXIBILITY
- TCCA WIRE CONTENT 90/10
- HEAT, CHEMICAL, AND ABRASION RESISTANT JACKET
- UP TO 2450 STRANDS
- OUR ENGINEERS HAVE RECOMMENDED THESE STAND COUNTS FOR LESS TENSILE BREAKAGE

Item	Specification
LV1PWR0-R	1/0 AWG, RED, 2450 STRANDS
LV1PWR0-B	1/0 AWG, BLACK, 2450 STRANDS
LV1PWR4-R	4 AWG, RED, 980 STRANDS
LV1PWR4-B	4 AWG, BLACK, 980 STRANDS
LV1PWR8-R	8 AWG, RED, 378 STRANDS
LV1PWR8-B	8 AWG, BLACK, 378 STRANDS



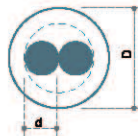


## Level 3 - Speaker Cable

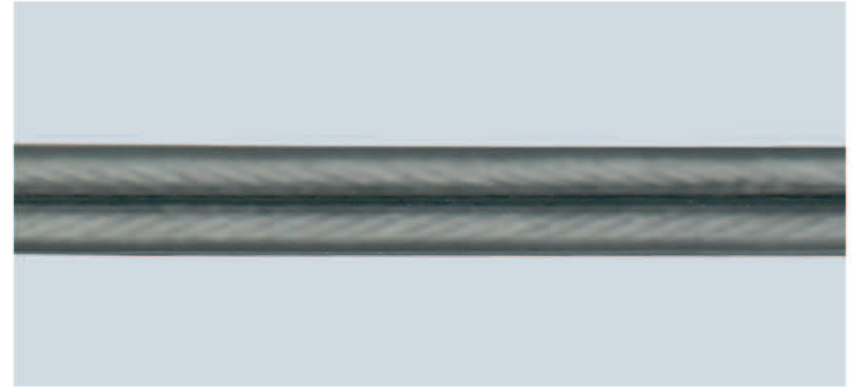


- TWISTED PAIR CONSTRUCTION FOR NOISE REDUCTION
- BRAIDED COMPACT STRANDS FOR ULTRA FLEXIBILITY
- HIGH PURITY OXYGEN FREE TINNED COPPER
- HEAT, CHEMICAL, AND ABRASION RESISTANT JACKET
- ULTRA SOFT TRANSLUCENT JACKET

Item	Specification
LV3SPK12	12 AWG, ICED BLUE , 672 STRANDS, 300 + 36 x 2
LV3SPK14	14 AWG, ICED BLUE , 434 STRANDS, 192 + 25 x 2



## Level 2 - Speaker Cable



- ULTRA SOFT TRANSLUCENT JACKET
- HIGH PURITY OXYGEN FREE TINNED COPPER
- COMPACT STRANDS FOR ULTRA FLEXIBILITY
- HEAT, CHEMICAL, AND ABRASION RESISTANT JACKET

Item	Specification
LV2SPK12	12 AWG, ICED BLUE , 672 STRANDS, 2 x 336
LV2SPK14	14 AWG, ICED BLUE , 434 STRANDS, 2 x 217
LV2SPK16	16 AWG, ICED BLUE , 266 STRANDS, 2 x 133



# Level 1 - Speaker Cable



- SOLID COSMETIC JACKET
- HEAT, CHEMICAL, AND ABRASION RESISTANT JACKET
- COST EFFECTIVE

Item	Specification
LV1SPK16	16 AWG BULK SPEAKER WIRE
LV1SPK18	18 AWG BULK SPEAKER WIRE





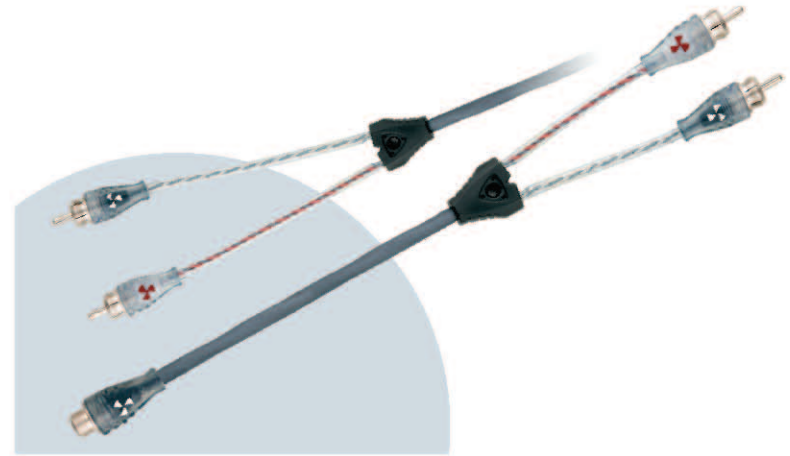
## Level 3 - RCA



- 0.15 TC X7 INNER CORE - 0.12 TC X10X2 DRAIN WIRE
- HIGH PURITY OXYGEN FREE TINNED COPPER
- HYPER TWISTED AND AL SHIELD REJECT EMI AND RFI
- ULTIMATE AUDIOPHILE PERFORMANCE
- FIBER BRAIDED OUTER JACKET FOR EXTREME PROTECTION
- DIE-CAST "Y" BLOCK TO PROTECT CRITICAL SPLIT POINT

Item	Specification
LV3RCA3	TWO CHANNEL AUDIOPHILE INTERCONNECT - 3FT
LV3RCA18	TWO CHANNEL AUDIOPHILE INTERCONNECT - 18FT
LV3RCAY-M	2 MALE TO 1 FEMALE INTERCONNECT - 6IN
LV3RCAY-F	2 FEMALE TO 1 MALE INTERCONNECT - 6IN

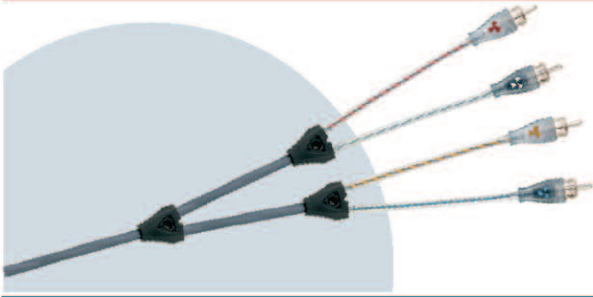
## Level 2 - RCA



- POLYMER BRAIDED JACKET - ULTRA FLEXIBLE
- HYPER TWISTED CORE FOR NOISE REDUCTION
- SOLID BRASS CONNECTOR
- HIGH PURITY OXYGEN FREE TINNED COPPER

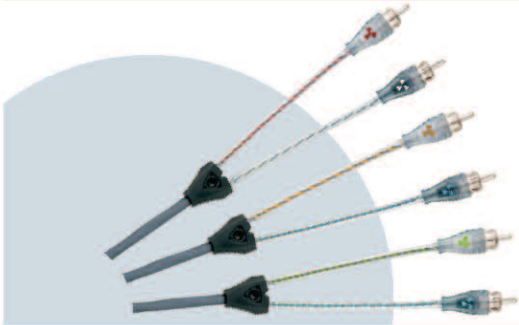
Item	Specification
LV2RCA3	TWO CHANNEL PROFESSIONAL INTERCONNECT - 3FT
LV2RCA12	TWO CHANNEL PROFESSIONAL INTERCONNECT - 12FT
LV2RCA18	TWO CHANNEL PROFESSIONAL INTERCONNECT - 18FT
LV2RCAY-M	2 MALE TO 1 FEMALE INTERCONNECT - 6IN
LV2RCAY-F	2 FEMALE TO 1 MALE INTERCONNECT - 6IN

## Level 2 - Four Channel



Item	Specification
LV2RCA18-4	4 CHANNEL PROFESSIONAL INTERCONNECT - 18 FT

## Level 2 - Six Channel



Item	Specification
LV2RCA18-6	6 CHANNEL PROFESSIONAL INTERCONNECT - 18 FT



## Level 2 - Video Cable



- POLYMER BRAIDED JACKET - ULTRA FLEXIBLE
- HYPER TWISTED CORE FOR NOISE REDUCTION
- SOLID BRASS CONNECTOR
- HIGH PURITY OXYGEN FREE TINNED COPPER
- 75 OHM COAXIAL CONSTRUCTION

## Level 1 - RCA

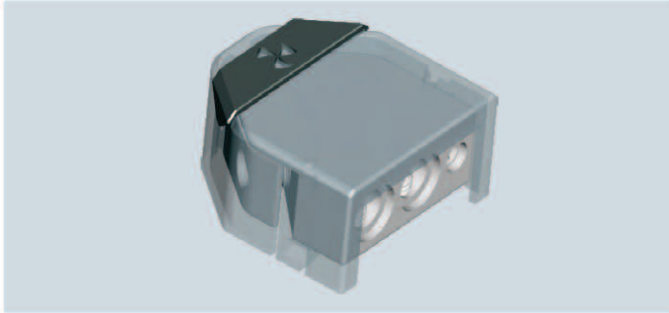


- SOLID COSMETIC WITH ULTRA SOFT AND FLEXIBLE JACKET
- HIGH PURITY OXYGEN FREE TINNED COPPER
- SHIELDED FOR EXCELLENT NOISE REDUCTION

Item	Specification
LV2RCA3-V	75 OHM VIDEO INTERCONNECT - 3FT
LV2RCA12-V	75 OHM VIDEO INTERCONNECT - 12FT
LV2RCA18-V	75 OHM VIDEO INTERCONNECT - 18FT

Item	Specification
LV1RCA3	TWO CHANNEL INTERCONNECT - 3FT
LV1RCA12	TWO CHANNEL INTERCONNECT - 12FT
LV2RCA18	TWO CHANNEL INTERCONNECT - 18FT
LV2RCAY-M	2 MALE TO 1 FEMALE INTERCONNECT - 6IN
LV2RCAY-F	2 FEMALE TO 1 MALE INTERCONNECT - 6IN

# Battery Clamp



- SOLID BRASS FOR HEAVY TRANSFER
- POLYCARBONATE COVER - IMPACT RESISTANT

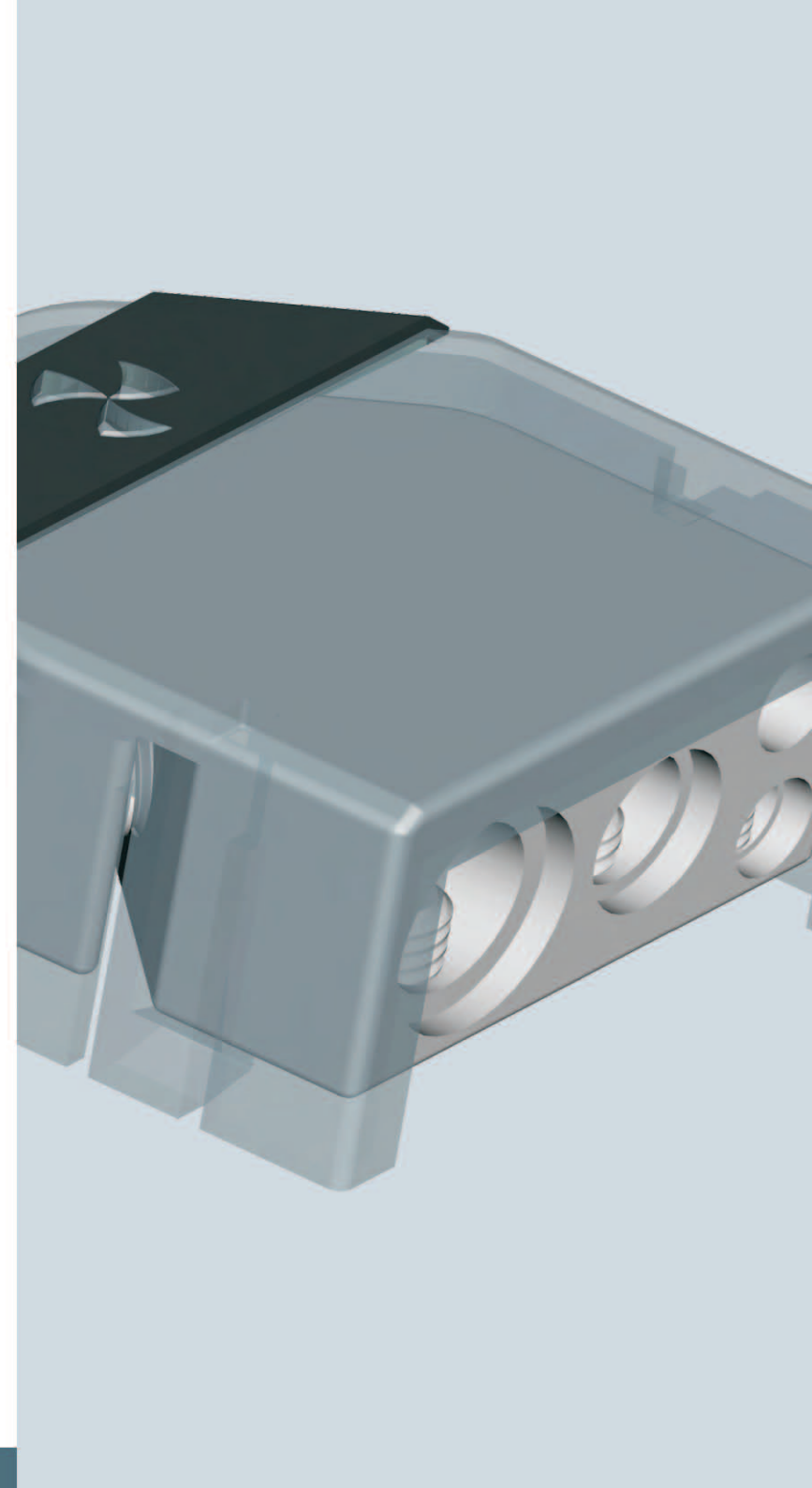
Item	Specification
BATTC-P	POSITIVE BATTERY CLAMP - (1) 1/0 AWG, (1) 4 AWG, (2) 8 AWG
BATTC-N	NEGATIVE BATTERY CLAMP - (1) 1/0 AWG, (1) 4 AWG, (2) 8 AWG

# Battery Terminal

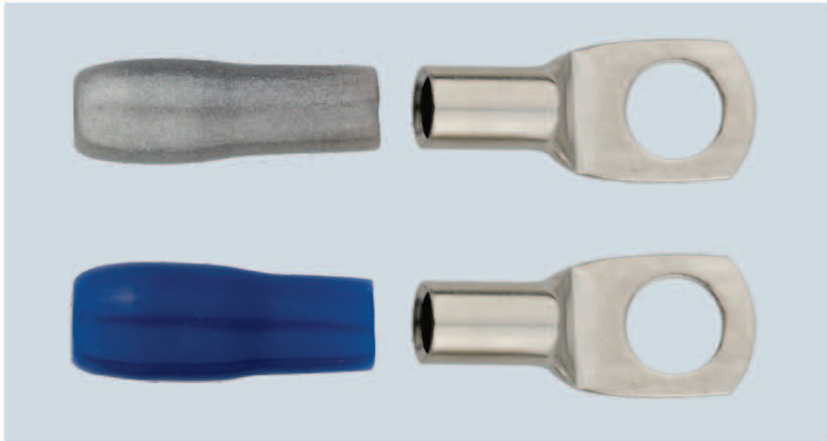


- SHORT AND LONG FOR EASY FIT
- SOLID BRASS FOR HEAVY TRANSFER

Item	Specification
BATTT-S	SHORT SIDE MOUNT BATTERY TERMINAL
BATTT-L	LONG SIDE MOUNT BATTERY TERMINAL



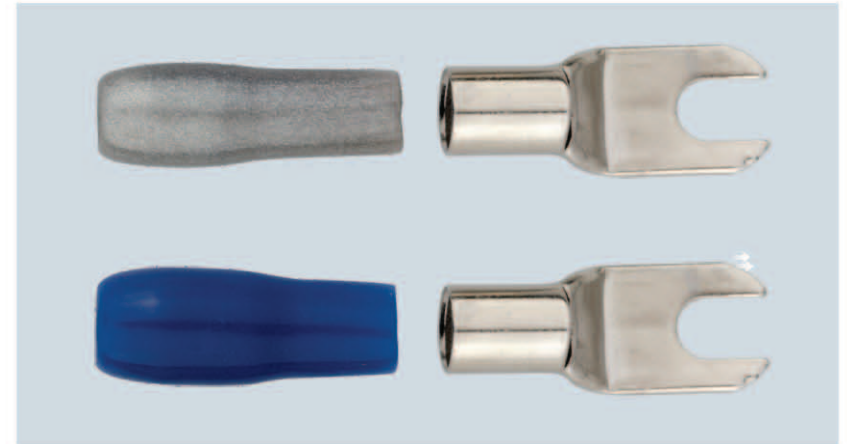
# Crimp Ring Terminal



- BRASS TUBE STRUCTURE FOR BETTER CONNECTION
- COLOR CODED INSULATOR INCLUDED

Item	Specification
RING-4	4 AWG CRIMP RING TERMINAL
RING-8	8 AWG CRIMP RING TERMINAL

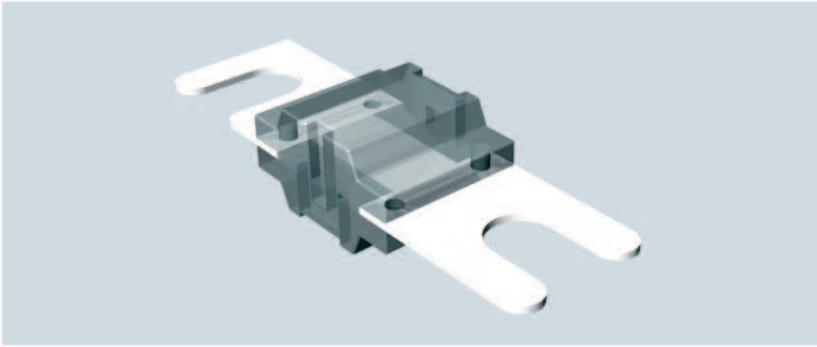
# Fork Terminal



- BRASS FORK TERMINAL FOR BETTER CONNECTION
- COLOR CODED INSULATOR INCLUDED

Item	Specification
FORK-4	4 AWG FORK TERMINAL
FORK-8	8 AWG FORK TERMINAL

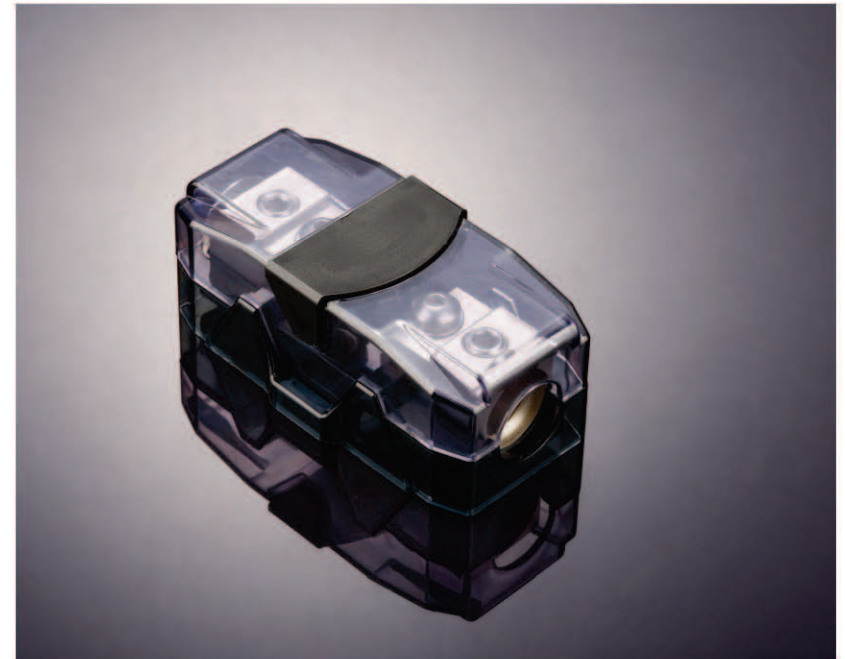
# Fuse



- POLYCARBONATE COVER - IMPACT RESISTANT
- COLOR CODED FOR EASY IDENTIFICATION
- SEE TROUGH BODIES FOR EASY FUSE INSPECTION

Item	Specification
FUSE-40	30A AFS FUSE, DRANGE
FUSE-60	60A AFS FUSE, DARK BLUE
FUSE-80	80A AFS FUSE, CLEAR
FUSE-100	100A AFS FUSE, YELLOW
FUSE-150	150A AFS FUSE, BROWN
FUSE-300	300A AFS FUSE, BLACK

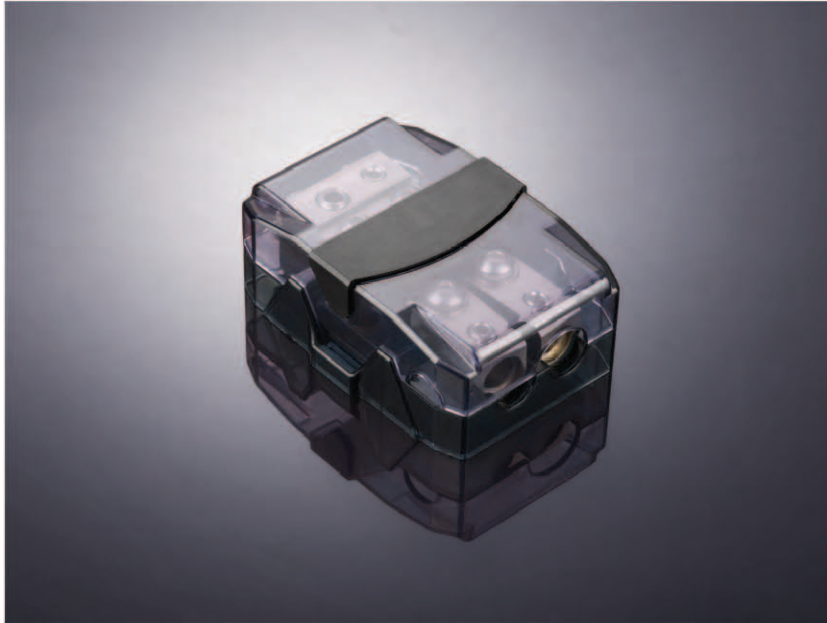
# Fuse Holder



- SOLID BRASS FOR HEAVY TRANSFER
- POLYCARBONATE COVER - IMPACT RESISTANT
- ACCEPTS AFS FUSES

Item	Specification
FHOLD-04	AFS FUSE HOLDER, 1/0 AWG - 4 AWG
FHOLD-48	AFS FUSE HOLDER, 4 AWG - 8 AWG

# Fuse Distribution

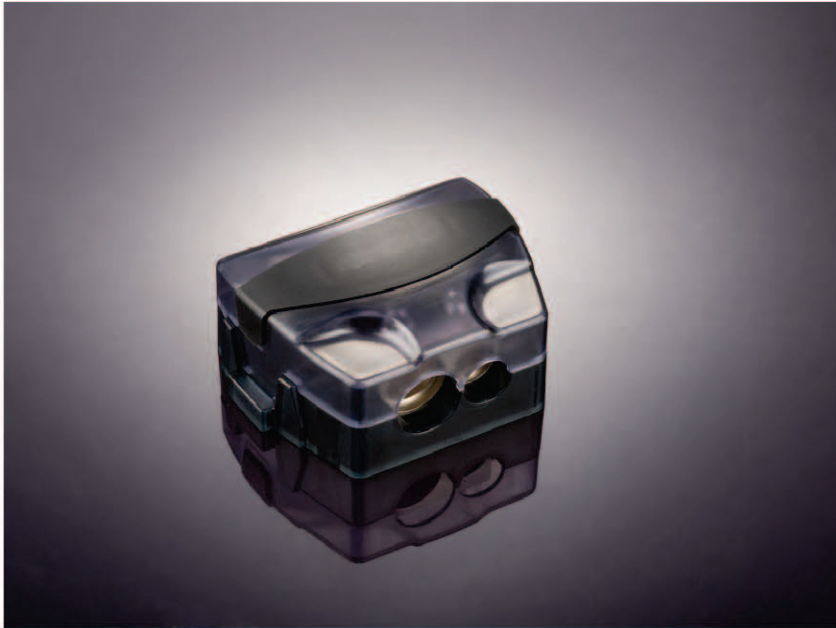


- SOLID BRASS FOR HEAVY TRANSFER
- POLYCARBONATE COVER - IMPACT RESISTANT



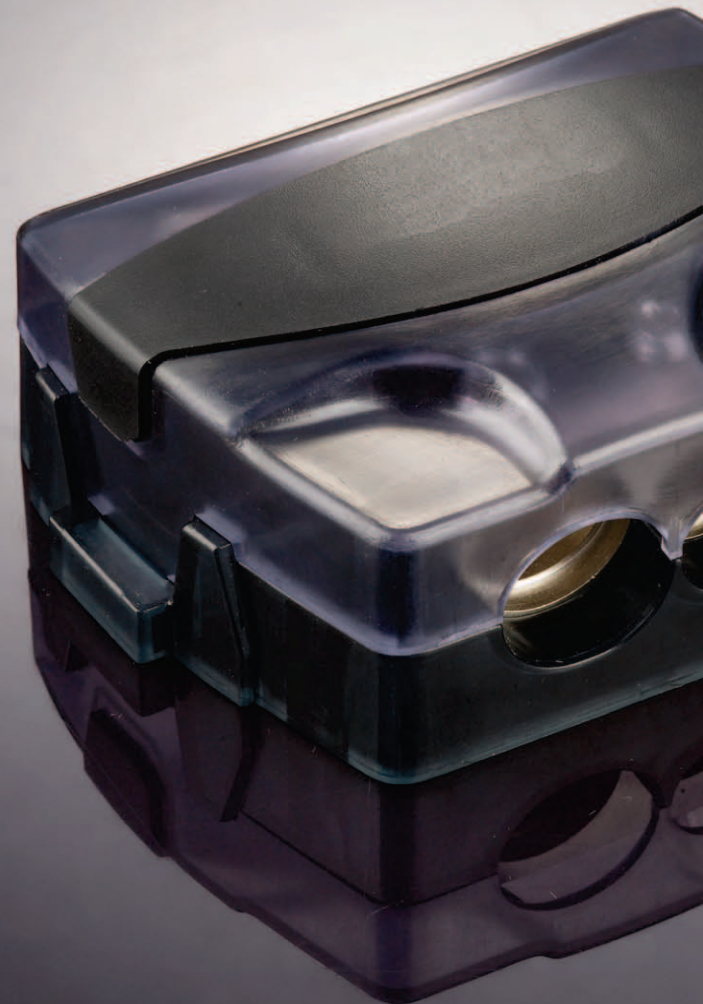
Item	Specification
FDIST-12	FUSED DISTRIBUTION, (1) 1/0 AWG INPUT (2) 4 AWG OUTPUT

# Distribution Block



- SOLID BRASS FOR HEAVY TRANSFER
- POLYCARBONATE COVER - IMPACT RESISTANT

Item	Specification
DISTB-13	DISTRIBUTION BLOCK, (1) 1/0 AWG INPUT (3) 4 AWG OUTPUT
DISTB-14	DISTRIBUTION BLOCK, (1) 4 AWG INPUT (4) 8 AWG OUTPUT





# Level 1 - Power and Signal Installation Kit

Item	Specification
LVIKIT-1/0	1/0 AWG Power Cable, AFS Fuse Holder with 300 Amp Fuse, RCA
LVIKIT-04	4 AWG Power Cable, AFS Fuse Holder with 100 Amp Fuse, RCA
LVIKIT-08	8 AWG Power Cable, AFS Fuse Holder with 60 Amp Fuse, RCA
LVIKIT-10	10 AWG Power Cable, AFS Fuse Holder with 40 Amp Fuse, RCA

- Same high quality materials that are used in all Level 1 items.
- 20 ft power cable
- 3 ft ground cable
- 18 ft RCA
- Fuse Holder w/fuse
- 18 ft remote wire
- Wire termination hardware included



# Level 2 - Power and Signal Installation Kit

Item	Specification
LV2AKIT-1/0	1/0 AWG Power Cable, AFS Fuse Holder with 300 Amp Fuse, RCA
LV2AKIT-04	4 AWG Power Cable, AFS Fuse Holder with 100 Amp Fuse, RCA
LV2AKIT-08	8 AWG Power Cable, AFS Fuse Holder with 60 Amp Fuse, RCA

- Same high quality materials that are used in all Level 2 items.
- 20 ft power cable
- 3 ft ground cable
- 18 ft RCA
- Fuse Holder w/fuse
- 18 ft remote wire
- Wire termination hardware included





